



LED DOCK LIGHTS/ARMS

MODULAR LOADING DOCK & TASK LIGHTING

Trailer/Cargo Docks • Manufacturing Areas • Work Stations • Maintenance Pits

Modular Dock Lights / Modular Arms

The Modular Dock Light features an **Incandescent or LED** fixture head with separate swing arms available with 24in. to 60in. effective reach. Durable, compact design, wear resistant cord and easy-to-mount plate affords a quick installation and long life. Built to endure accidental impact.





DL-INC



DLA2

Modular Heads					
Type	Item #	Housing	Source	CCT	Voltage
Incandescent	DL-INC-LH	Round, high temperature polymer	PAR38 / BR40 Lamp (up to 250W)* *Not included		120VAC (60Hz)
LED	DLA2-12LED	Cast aluminum housing	9W / 1,200Lm	4,000K	120VAC (60Hz)

Accessories - Modular Heads (Order separately, field installed)		
Item #	Description	
PG-1		Guard - Polycarbonate (DL-INC-LH only)
WG-S		Wire guard (DL-INC-LH only)

DLA2 Options		
Item #	Description	Notes
DLA2-12LED-PLG	22" cord w/ 120V, 60Hz NEMA 5-15 plug	1. Not suitable for wet environments 2. Cannot be used with arm assemblies (#DL)
DLA2-12LED-SW	Push button switch on head	1. Not required if purchasing arm assemblies since switch is on arm.

Modular Arms (Order separately, field installed)		
Item #	Description	Arm Length (effective reach)
DLSD-40-ARM-DS	Double strut arm for modular heads	40in.
DLSD-60-ARM-DS		60in.

DLA2-12LED

CERTIFICATIONS

UL1598 / CSA-C22.2 No.250 (Wet Locations)
Lumen Maintenance (L70) >50,000 hrs. (reported)
-40°C to 50°C Ambient
IK10
CE
ABS

CONSTRUCTION

Cast aluminum housing
Impact resistant clear polycarbonate lens
Safety yellow powder coat finish
Stainless steel yoke mounting bracket
Stainless steel hardware
Weight: 2.7 lbs.

ELECTRICAL

120VAC, 60Hz
Input current (Amps): 0.13
Recessed 3-prong IEC type (C-14) plug (standard)
22in. cord (standard)

FEATURES

Mounting: Yoke Bracket (.53" clearance hole)
20° Square LED beam angle
5 Year Warranty

DL-INC-LH

CERTIFICATIONS

UL153 / CSA-C22.2 No.12 (Portable Luminaires)
Indoor
Suitable for dry locations

CONSTRUCTION

High temperature polymer housing
Safety yellow powder coat finish
Zinc plated yoke mounting bracket
Zinc plated steel hardware
Weight: 6.0 lbs.

ELECTRICAL

120VAC
3-prong IEC type (C-14) plug - standard
Input current (Amps): 2.08 (at max. 250W)
~12in. cord

FEATURES

Mounting: Yoke Bracket
Low cost
Optional guards (order separately, field installed)
Instant-on

Modular Arms

CERTIFICATIONS

UL153 / CSA-C22.2 No.12 (Portable Luminaires)
Indoor
Suitable for dry locations


CONSTRUCTION

1.5" Square, steel tubing (arms)
Safety yellow powder coat finish
Zinc plated mounting bracket
Washers at all joints and bushings at bracket joints

ELECTRICAL

120VAC
On/Off rocker switch with IEC type receptacle
3-prong wear-resistant cord
Female receptacle on arm (male plug on modular heads)

Accessories - Arms (Order separately, field installed)

Item #	Description	
DL-18-FAN		18" Blade 5,500 cfm Plugs into arm assembly



1-800-854-0021 www.ldpi-inc.com
LDPI® is a registered trademark of LDPI, Inc. © LDPI, Inc.

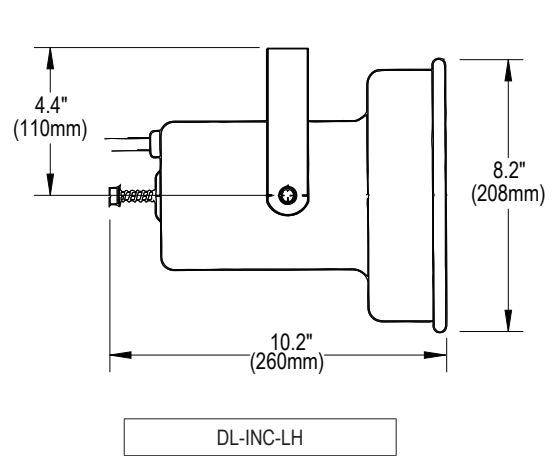
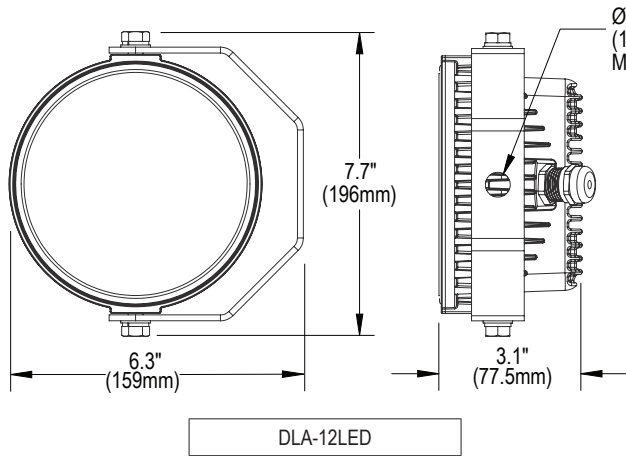
Product design and specifications subject to change without notice.
Visit www.ldpi-inc.com for the most current version and photometric data. v.02.21.24

LED DOCK

LOADING DOCK & TASK LIGHTING

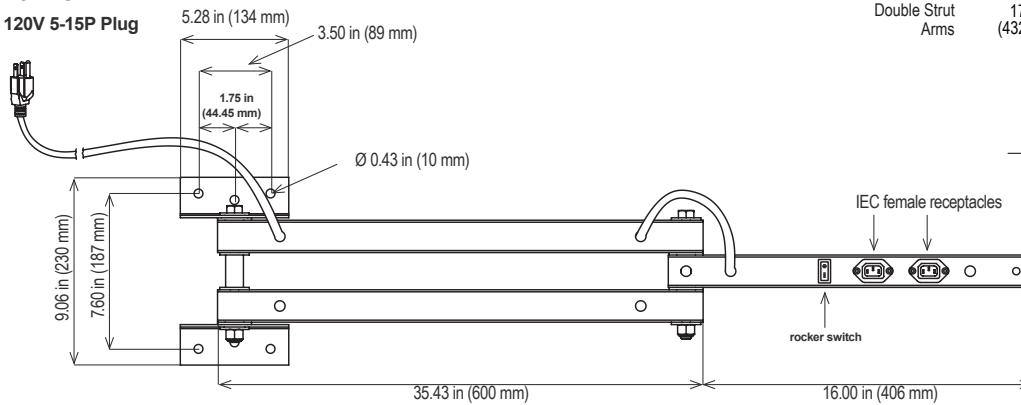
Trailer/Cargo Docks • Manufacturing Areas • Work Stations • Maintenance Pits

DIMENSIONS (MODULAR HEADS)



DIMENSIONS (MODULAR ARMS)

40 Inch Arm 120V 5-15P Plug



60 Inch Arm 120V 5-15P Plug

