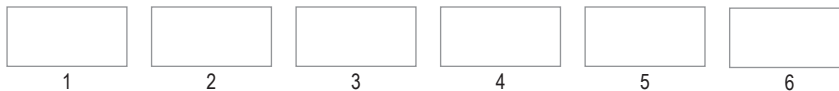


The 240 Series is a very versatile fixture for hazardous environments. It is an ideal fixture for industrial applications, wet locations and task lighting. Optional adjustable mounting brackets allow for precise aiming in multiple angles suitable for most applications. The 240 Series is available in 2, 3, 4, 5 and 6 lamp options, all using a 3/16" tempered glass lens with acrylic and polycarbonate optional lenses. With multiple hub locations, the 240 Series can meet most of your wiring needs. LAMPS SOLD SEPARATELY.



1 SERIES	2 LAMP TYPE	3 LAMP QUANTITY	4 VOLTAGE	5 HUB
240	T5: 28W T5HO: 54W T8: 32W T8HO: 44W	2L: 2 Lamp 3L: 3 Lamp 4L: 4 Lamp 5L: 5 Lamp 6L: 6 Lamp	UNV1: 120-277V 50/60Hz UNV2: 347-480V 50/60Hz*** 347: 347V 50/60Hz	TS: Top and Side Hubs**
6 OPTIONS				
<p>AM: Adjustable Angle Mounting Brackets (PN: 6856)[†] 6856SS: AM Stainless Steel[†] CB: Cable Mount (PN: 6875) Includes 5 ft. cables std. 6875SS: CB Stainless Steel. Includes 5 ft. cables std. (Consult Factory for availability) WH: 8' 3-Wire Whip SR: Specular High Bay Reflector W: Wire Guard F: Fuse A: Acrylic Lens P: Polycarbonate Lens 7979: Chain Mount Kit EM: Battery/Driver Backup (90 Min.) T8/T8HO UNV1 U.S. UL only (Ambient reduced to 40°C) 8HLO: High Light Output Ballast (T8 32W lamp only) 10357: Vertical Mounting Bracket</p>				
<p>Notes: ** 1/2" NPT standard *** UNV2 T5HO Only [†] For horizontal or ceiling mounted fixture only</p>				

LISTINGS

UL 844
CSA 22.2 No. 137.0
UL 1598 Wet / Damp
CSA 22.2 No. 250.0
CI D2 Grps A,B,C,D T rating see chart
CII D2 Grps F,G T4A 120°C
CIII T4A 120°C
IP 65
40°C Ambient Rating
55°C Ambient Rating (T8-32 watt)

FEATURES

Front access fixture for hazardous locations
Hinged front door frame
Hinged ballast tray
Sturdy 18 Ga. steel white powder coated housing
Spring loaded lamp holders - standard
3/16" tempered glass lens
Zinc latches

ELECTRICAL

Available in 28, 32, 44 and 54 watts with T5, T5HO, T8, and T8HO lamps.
Voltages of 120, 277, 347 and 480
Through feed wiring

OPTIONS

Adjustable surface mount brackets
Cable mount
Chain mount kit
8' wire whip
Specular reflector
Wire guard
Fusing (not listed for Canada)
Acrylic lens
Polycarbonate lens
EM: Battery/Driver Backup (T8/T8HO UNV1 U.S. UL Only)
HLO (high light output) ballast for T8 32 watt lamp only
Stainless steel housing - consult factory
Mounting Kits - ordered separately

240

HAZARDOUS LIGHTING

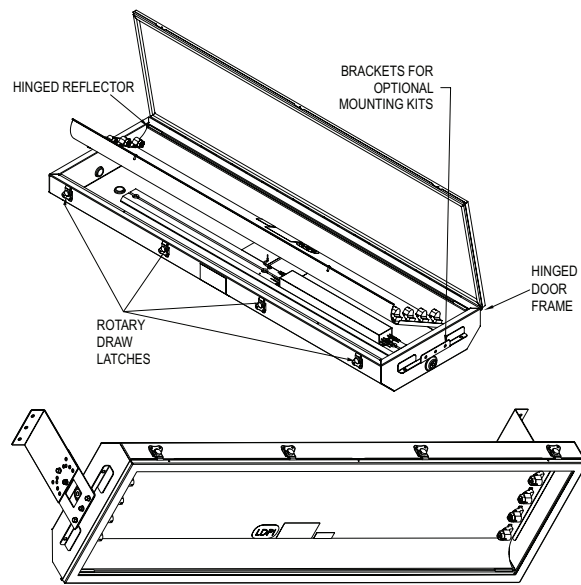
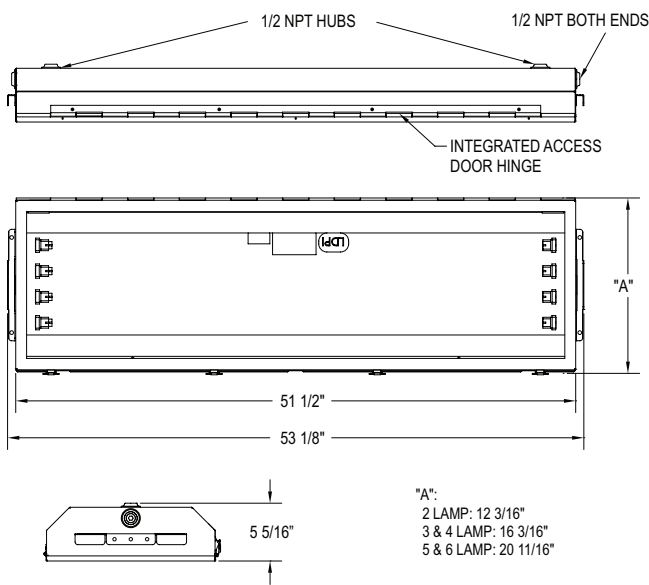
Chemical Processing • Industrial • Metals & Mining • Oil / Gas • Water Treatment



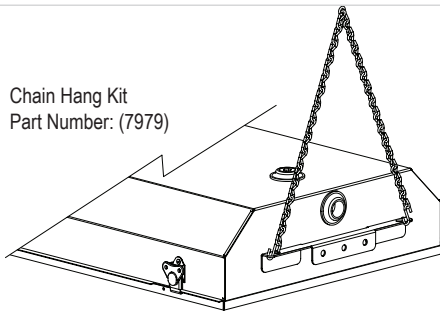
Model	Rated Ambient Deg. C	Supply Wiring Temp	Class I, Div. 2 Operating Temperature Code	Class II, Div. 2 Operating Temperature Code	Class III Operating Temperature Code
240-T5	40	75	T3C (160°C)	T4A (120°C)	T4A (120°C)
240-T5HO	40	75	T3C (160°C)	T4A (120°C)	T4A (120°C)
240-T8HO	40	75	T4A (120°C)	T4A (120°C)	T4A (120°C)
240-T8*	55	75	T5 (100°C)	T4A (120°C)	T4A (120°C)

* 240 with EM option ambient is reduced to 40°C

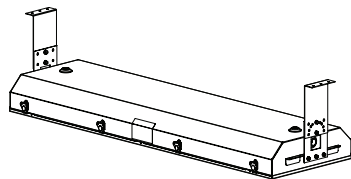
DIMENSIONS



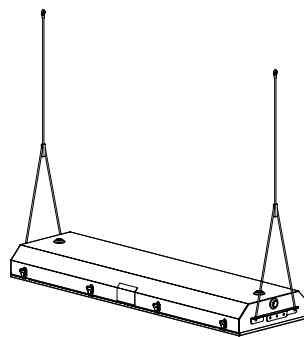
MOUNTING



Chain Hang Kit
Part Number: (7979)

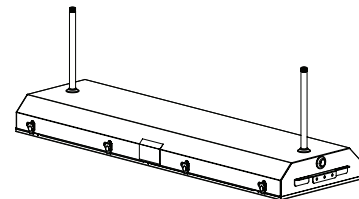


Adjustable Surface Mounting Bracket Kit
Part Number: (6856 galvanized)
and (6856SS stainless steel)
Bracket attachment point for optional mounting methods



Cable Hang Kit
Part Number: (6875 zinc coated)
and (6875SS stainless steel)
QTY 2 cables with toggle ends
and QTY 2 self locking gripples

52 1/4" between chains



Pendant Style Mounting
NOTE: Conduit provided by others

Fixture suspended with 1/2" electrical conduit
using top hubs on fixture at both ends.

45" between conduit

THERE ARE A NUMBER OF MOUNTING METHODS THAT ARE NOT SHOWN.