

CLING-ON PLASTIC LENS ROLL FILM

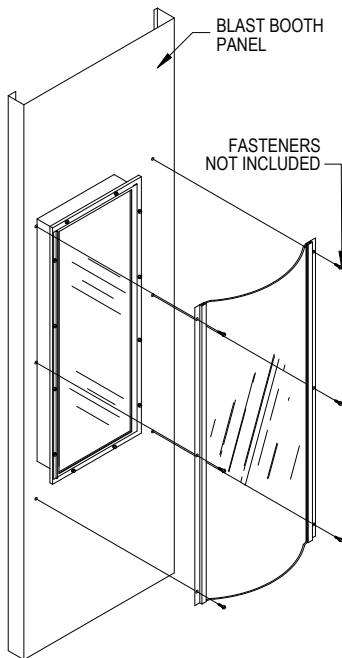
Transparent roll film protects windows and light fixtures from over-spray in paint booths. Application and removal is quick and easy making this product a clear choice for your cleanup solution.

- 3 Mil plastic film with custom acrylic adhesive
- Protects lens coverings from overspray
- Applies easily to clean lens
- Available In 12in., 18in., and 25in. widths
- 100 Ft. per roll

| Part # | Description |
|--------|--|
| 3312 | Dispenser Handle (For 12" and 18" wide rolls only) |
| 3263 | 12in. wide film roll. |
| 3188 | 18in. wide film roll. |
| 4348 | 25in. wide film roll. Single roll. |

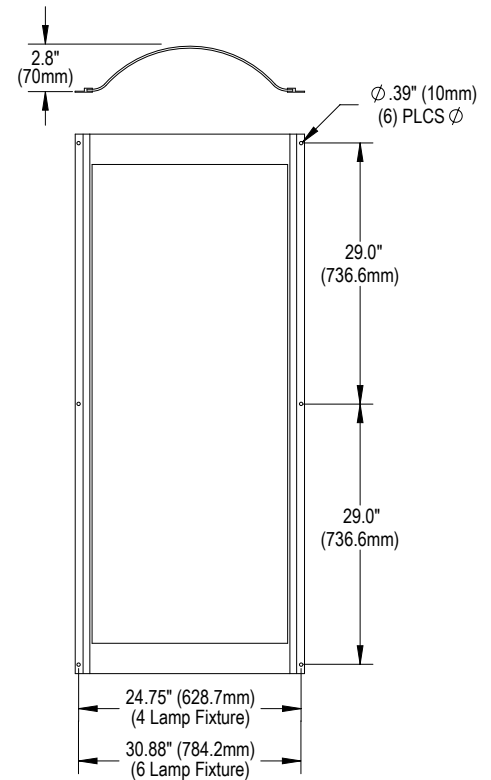


BLAST BOOTH LENS COVER KITS (For use with the Slim Light and 400 Series)



- Helps protect fixture from high pressure blast media
- 1/16" clear polycarbonate lens
- Lenses are easily interchangeable
- Perfect for rear access fixtures
- For front access, lens cover needs to be removed for relamping.

| Part Number | Description |
|-------------|----------------------------|
| 3318 | Lens Kit (4 lamp fixture) |
| 3316 | Lens Only (4 lamp fixture) |
| 7668 | Lens Kit (6 lamp fixture) |
| 7682 | Lens Only (6 lamp fixture) |

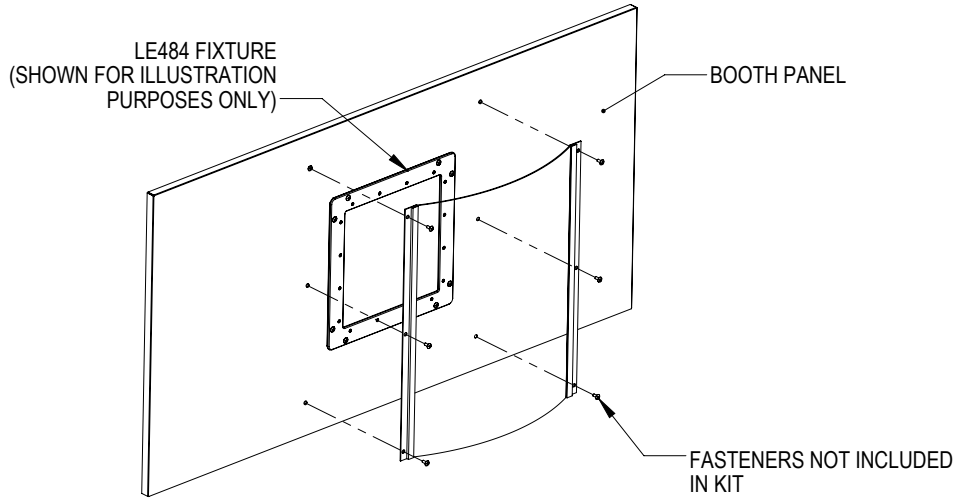


LENS PROTECTION

FIXTURE PRESERVATION

Paint Booth • Powder Booth • Blast Booth

BLAST BOOTH LENS COVER KIT (For use with the LE484 Series)



- Helps protect fixture from high pressure blast media
- 1/8" clear polycarbonate lens
- Lenses are easily interchangeable

| Part Number | Description |
|-------------|-------------|
| 17650 | Lens Kit |
| 17649 | Lens Only |

