

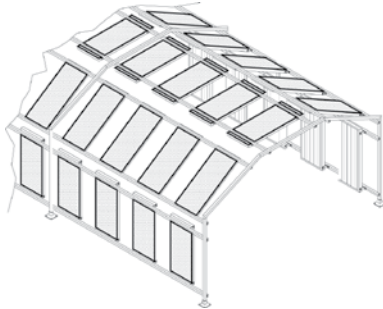
INS2 and INS3 SERIES



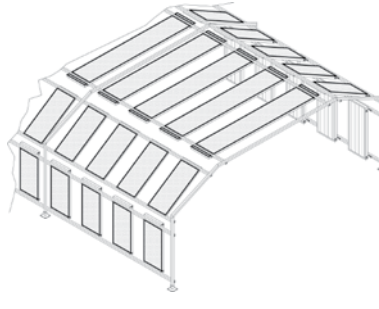
www.ldpi-inc.com

INSPECTION LIGHTING MOUNTING

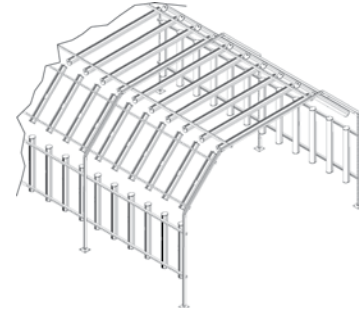
INSPECTION FIXTURE MOUNTING



4 Ft. fixture top horizontal mount

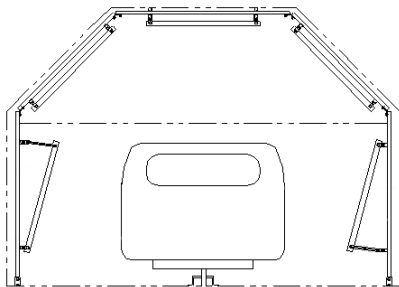


8 Ft. fixture top horizontal mount

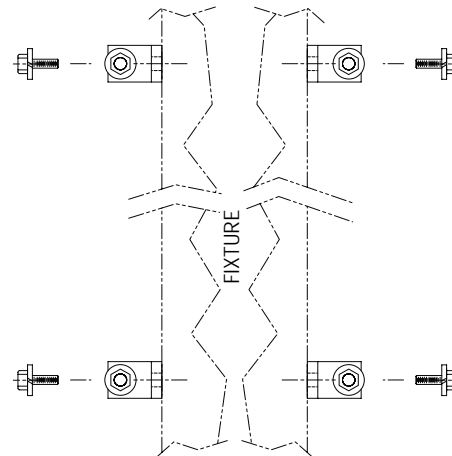


INS2 with 8 Ft. fixture top horizontal mount

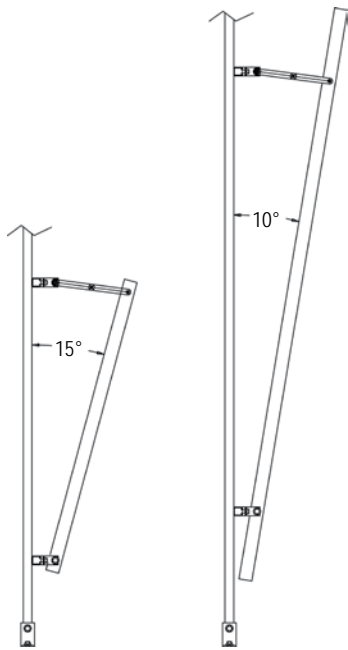
Tunnel provides visual angles from all sides and can be designed with combinations of 4 Ft. and 8 Ft. fixtures to fit product and application requirements. Fixtures mounted 26 1/2" on center. INS2 fixtures mounted 18" on center.



Pivot mount or stationary mounting brackets allow aiming of fixtures for optimal performance.
NOTE: Not available for INS2 fixtures.



P/N 3564 Stationary Mount Kit
4 Ft. and 8 Ft.
Fluorescent Inspection Lighting



4 Foot Fixture Rotation 8 Foot Fixture Rotation

P/N 3563 Pivot Hinge Mount Kit 4 Ft. and 8 Ft.
Fluorescent Inspection Lighting

INSPECTION CART SWIVEL MOUNT
P/N 4828 Swivel Mount Kit
(For mounting fixtures on a 2" square tube frame. For use on 4 Ft. fixtures only.)

