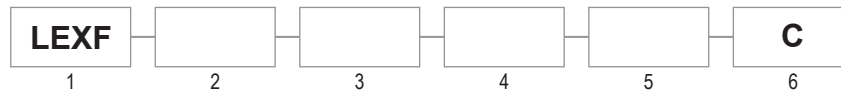


The LEXF is designed and listed for **CI D1** explosion, hazardous, marine and wet locations. This product is ideal for retrofitting High Pressure Sodium (HPS) and Metal Halide (MH) fixtures for increased energy savings and maintenance.



Inquire for specific DLC qualifying configurations



1 SERIES	2 SOURCE	3 VOLTAGE	4 CCT	5 OPTICS / BEAM	6 LENS
LEXF	L1: 80W L2: 100W L3: 150W	V1: 120-277VAC (50/60Hz) V2: 347-480VAC (50/60Hz)	3: 3,000K 4: 4,000K 5: 5,000K	V25: 25° V60: 60° V120: 120°	C: Clear
Note: Product comes standard with: (3) 3/4" NPT Hubs: pendent and two sides hubs, and a yoke bracket pre-installed 10Kv Surge Protector built in 3 Ft. 3-Wire whip, factory installed					

### CERTIFICATIONS

UL844 / CSA C22.2 No.137 (Hazardous)  
 CI D1, Grps C,D  
 CI D2, Grps A,B,C,D  
 CII D2, Grps F,G  
 CIII  
 Simultaneous Presence  
 Paint Spray Listed  
 T-Codes: CI D1=T6 / CI D2=T4A / CII D2=T4A  
 UL1598 (Wet/Damp)  
 UL1598A (Marine Outside)  
 DLC (inquire for specific part numbers)  
 Lumen Maintenance (L70) >50,000 hrs. (reported)  
 CRI >70  
 -40°C to 60°C Ambient  
 RH Ambient Humidity 5% to 95%  
 NEMA 3 and NEMA 4X  
 IP66  
 FCC

### CONSTRUCTION

Copper-free aluminum housing and yoke  
 Tempered glass lens  
 Powder coat black  
 (3) 3/4" NPT Hubs  
 All exposed fasteners are stainless steel  
 Weight: 34 lbs.

### ELECTRICAL

120-277 / 347-480VAC  
 10Kv surge protector built in - Standard  
 3Ft. 3-Wire whip standard, factory installed

### FEATURES

High Lumen output up to 130 Lm/W  
 5G Vibration Rating  
 Thermal Shock and impact resistant lens  
 Mounting: Wall (Flood), Stanchion, Ceiling, and Pendent  
 Light weight compact design  
 5 Year Warranty

### PERFORMANCE

Source	Voltage (VAC) 50/60Hz	Input Current (A)	Wattage (W)	CCT	Lumens* (Lm)
L1	120-277	.67 - .29	80	3,000K	9610
				4,000K	9720
	347-480	.23 - .17	5,000K	10290	
L2	120-277	.83 - .36	100	3,000K	11,630
				4,000K	11760
	347-480	.29 - .21	5,000K	12280	
L3	120-277	1.25 - .54	150	3,000K	18160
				4,000K	18360
	347-480	.43 - .31	5,000K	18650	

\*Nominal values

# LEXF

## EXPLOSION PROOF

Chemical Processing • Grain Processing • Metals & Mining • Oil / Gas • Water Treatment



### ACCESSORIES - (Field Installed, Order Separately)

Part Number	Description	
WG01	Wire Guard Stainless Steel 304 (not suitable for use in paint spray applications)	
SN01-BK	Slip Fitter Mount Bracket (Powder Coated Black) Fits 2 3/8" (60mm) Outside Diameter Stanchion	

### SUGGESTED MOUNTING



Wall / Flood



Ceiling (shown with wire guard)  
(#WG01 ordered separately)



Pendent\*

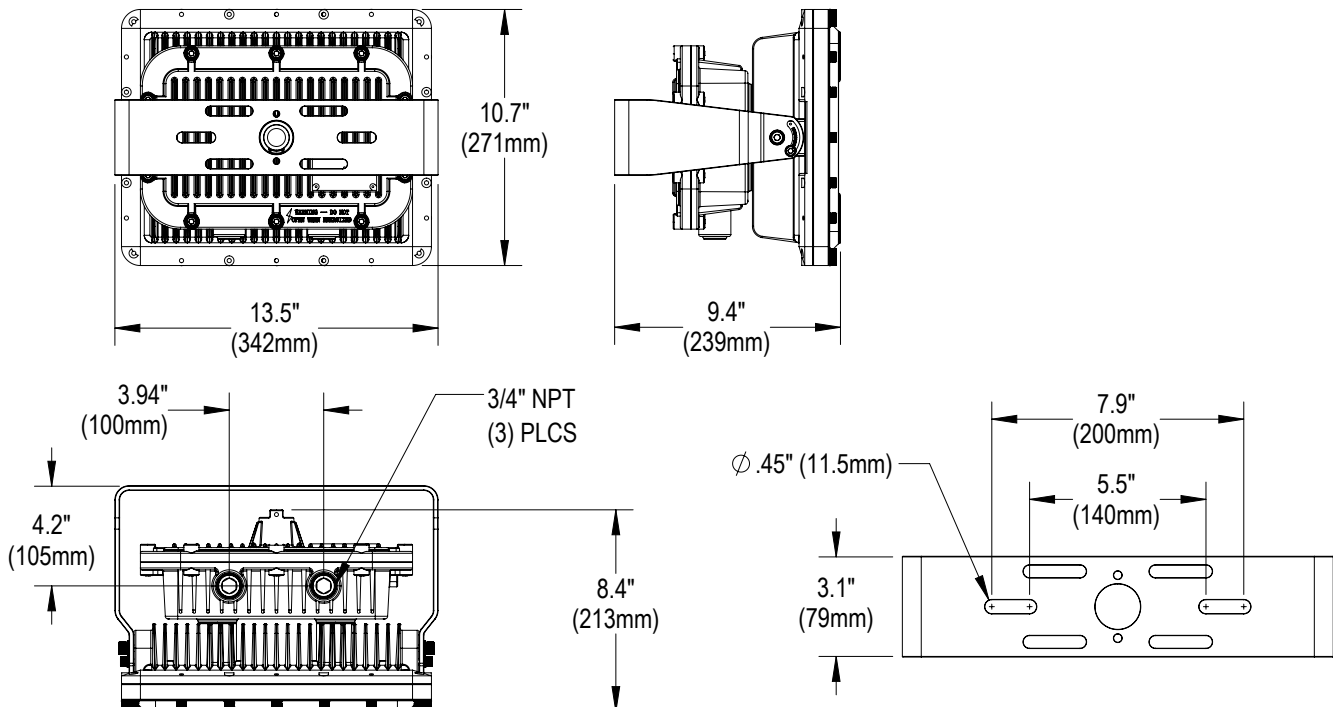
\*Conduit and stanchion shown for illustration purposes only



Stanchion\*

(#SN01-BK ordered separately)

### DIMENSIONS



1-800-854-0021 www.ldpi-inc.com  
LDPI® is a registered trademark of LDPI, Inc. © LDPI, Inc.

Product design and specifications subject to change without notice.  
Visit [www.ldpi-inc.com](http://www.ldpi-inc.com) for the most current version and photometric data. v.01.03.23